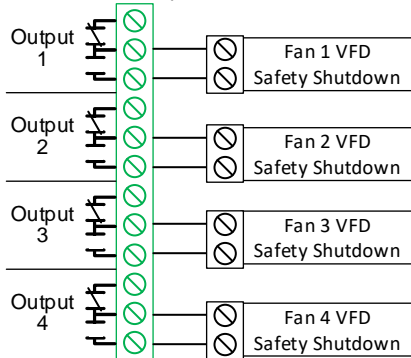




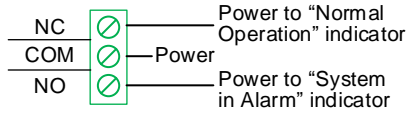
An example of how to wire the PSR-124 or PSR-124-NC boards

Example Outputs Connection Diagram

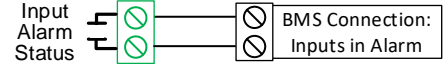
In this example, the VFD is programmed to shutdown when the NO contact closes. Depending on VFD programming, it can also shut down when the NC contact opens



Example Light Indicator Connection Diagram

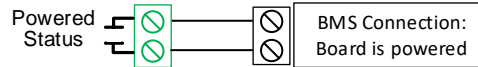


Example Status Connection Diagram



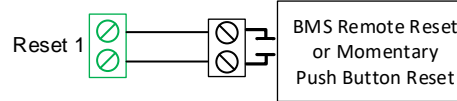
Example Remote Board Status Connection Diagram

Contact will be held closed when board is powered.

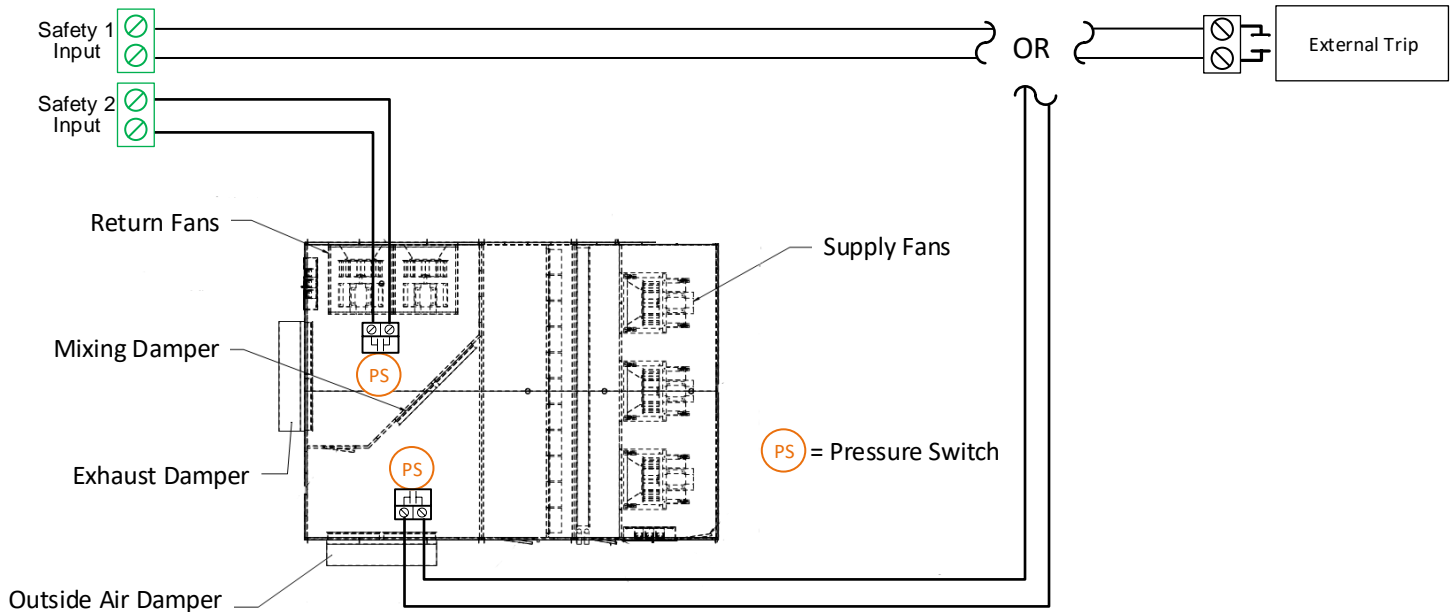


Example Remote Reset Connection Diagram

Board can also be reset via on board push button.



Example Safety Inputs Connection Diagram



WARNING: THE BOARD MUST BE MOUNTED ON A SOLID, VERTICAL SURFACE. EXCESSIVE / VIOLENT VIBRATION MAY CAUSE RELAYS TO ACTIVATE WITHOUT CAUSE IF MOUNTED IN ANOTHER POSITION. NOT FOR USE IN FIRE / LIFE SAFETY SYSTEMS.